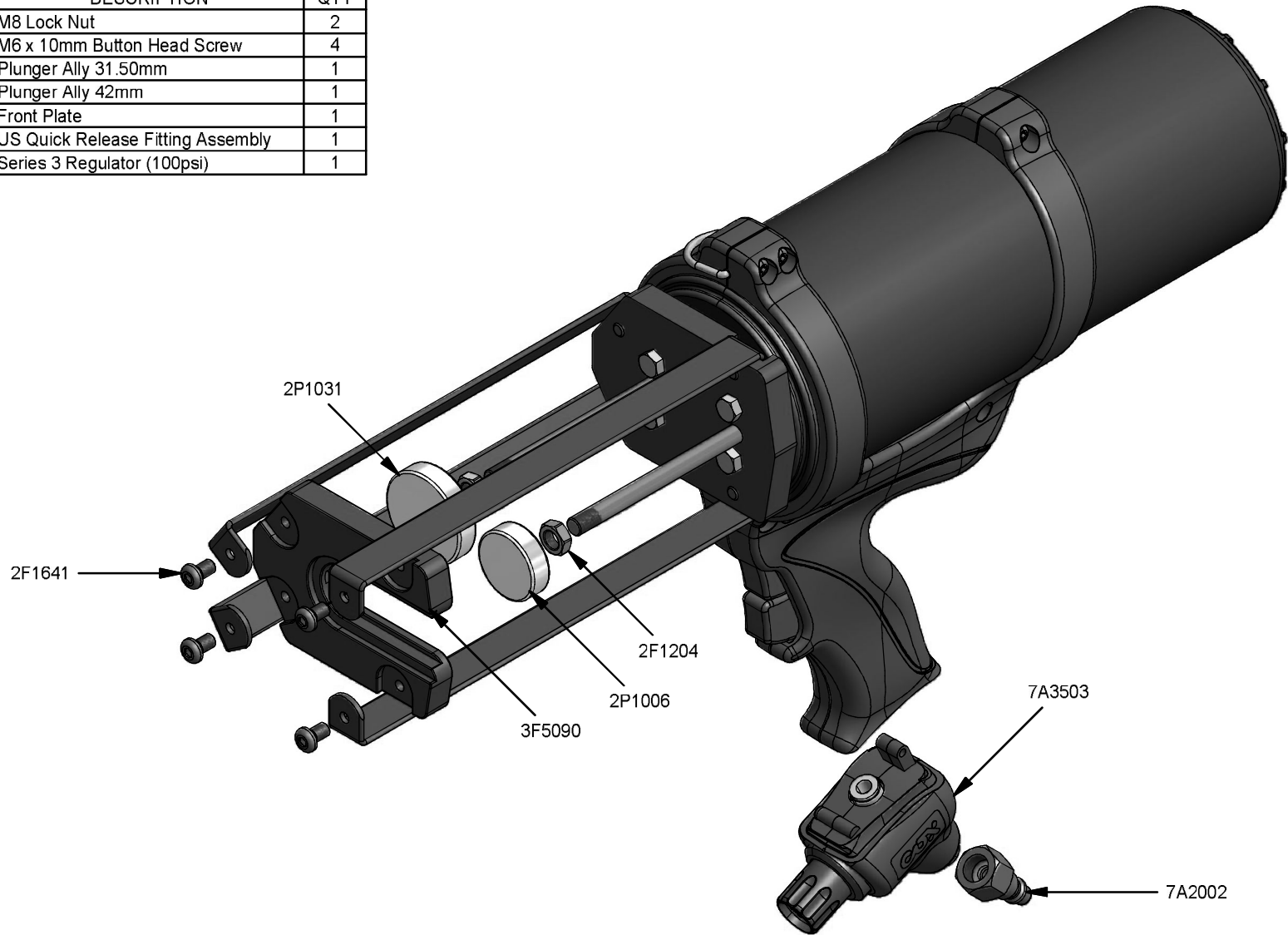


| Parts List | | |
|------------|-----------------------------------|-----|
| STOCK No | DESCRIPTION | QTY |
| 2F1204 | M8 Lock Nut | 2 |
| 2F1641 | M6 x 10mm Button Head Screw | 4 |
| 2P1006 | Plunger Ally 31.50mm | 1 |
| 2P1031 | Plunger Ally 42mm | 1 |
| 3F5090 | Front Plate | 1 |
| 7A2002 | US Quick Release Fitting Assembly | 1 |
| 7A3503 | Series 3 Regulator (100psi) | 1 |



S3 VBA 400 A 2

SULZER

REV

DATE

C

28/03/2017