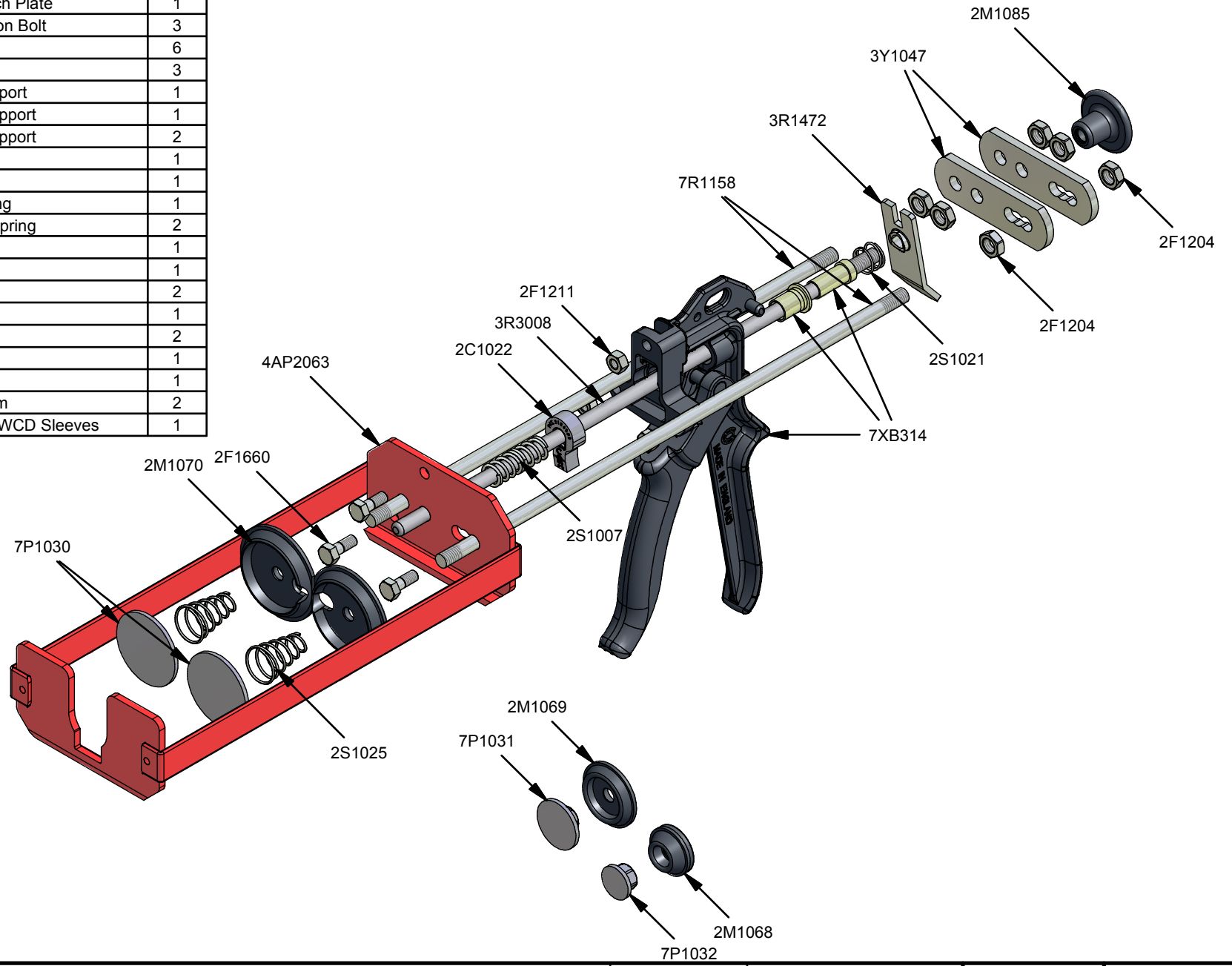


Parts List		
STOCK No	DESCRIPTION	QTY
2C1022	Mk10 Sintered Catch Plate	1
2F1660	M6 x 16mm Hexagon Bolt	3
2F1204	M8 Lock Nut	6
2F1211	M6 Nut	3
2M1068	75ml Cartridge Support	1
2M1069	150ml Cartridge Support	1
2M1070	300ml Cartridge Support	2
2M1085	Plastic Knob	1
2S1007	Catch Plate Spring	1
2S1021	Release Plate Spring	1
2S1025	Cartridge Locator Spring	2
3R1472	Release Plate	1
3R3008	Drive Rod 346mm	1
3Y1047	Yoke	2
4AP2063	Frame Assembly	1
7P1030	42mm Plunger	2
7P1031	28mm Plunger	1
7P1032	Plunger 19mm	1
7R1158	Plunger Rod 334mm	2
7XB314	Mk 10 Butt/Trigger/WCD Sleeves	1



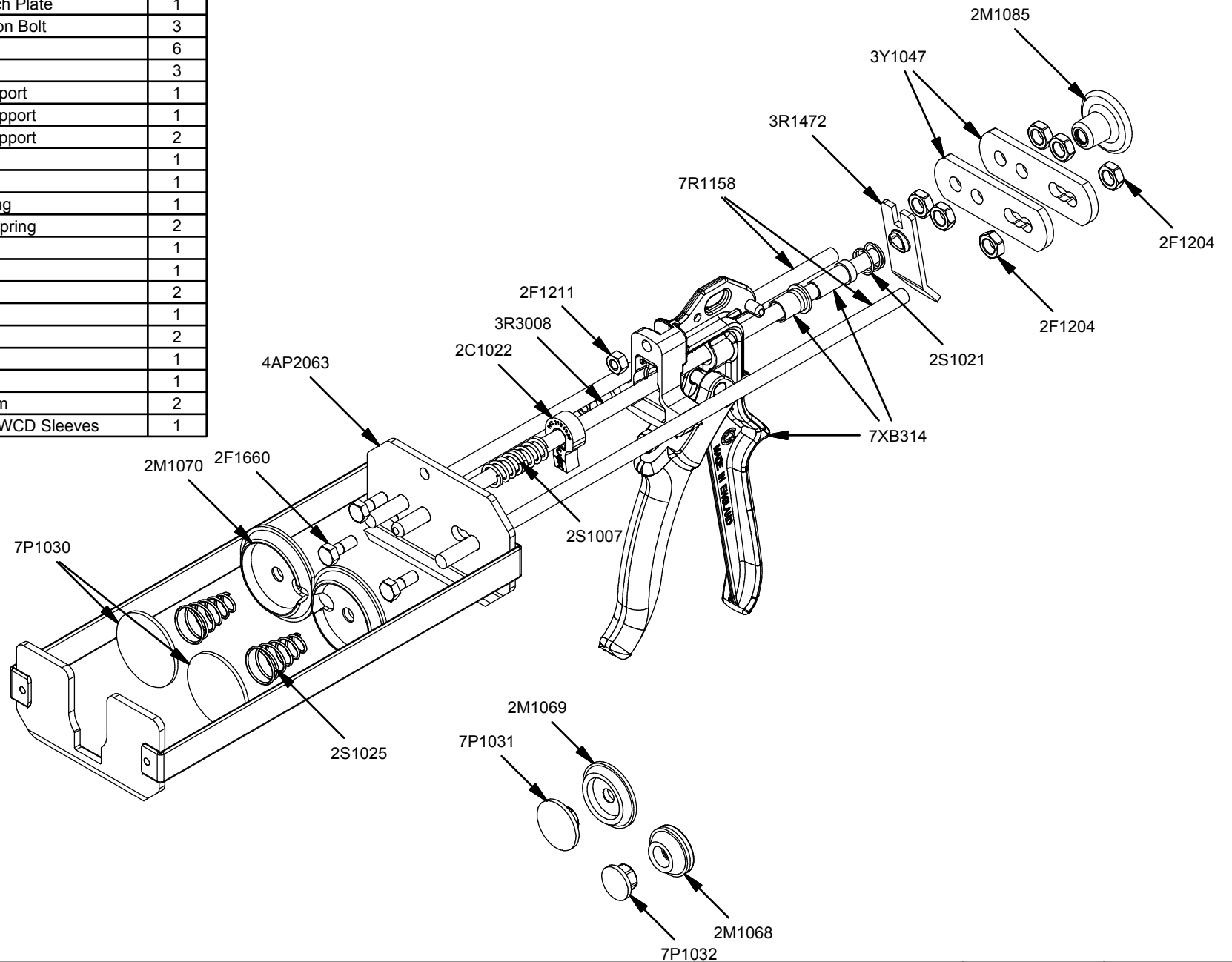
PPM 300 XL



www.cox-applicators.com  
 sales@cox-applicators.com  
 800-822-8114

REV	DATE
C	27/09/2011

Parts List		
STOCK No	DESCRIPTION	QTY
2C1022	Mk10 Sintered Catch Plate	1
2F1660	M6 x 16mm Hexagon Bolt	3
2F1204	M8 Lock Nut	6
2F1211	M6 Nut	3
2M1068	75ml Cartridge Support	1
2M1069	150ml Cartridge Support	1
2M1070	300ml Cartridge Support	2
2M1085	Plastic Knob	1
2S1007	Catch Plate Spring	1
2S1021	Release Plate Spring	1
2S1025	Cartridge Locator Spring	2
3R1472	Release Plate	1
3R3008	Drive Rod 346mm	1
3Y1047	Yoke	2
4AP2063	Frame Assembly	1
7P1030	42mm Plunger	2
7P1031	28mm Plunger	1
7P1032	Plunger 19mm	1
7R1158	Plunger Rod 334mm	2
7XB314	Mk 10 Butt/Trigger/WCD Sleeves	1



PPM 300 XL



www.cox-applicators.com  
 sales@cox-applicators.com  
 800-822-8114

REV

DATE

C

27/09/2011