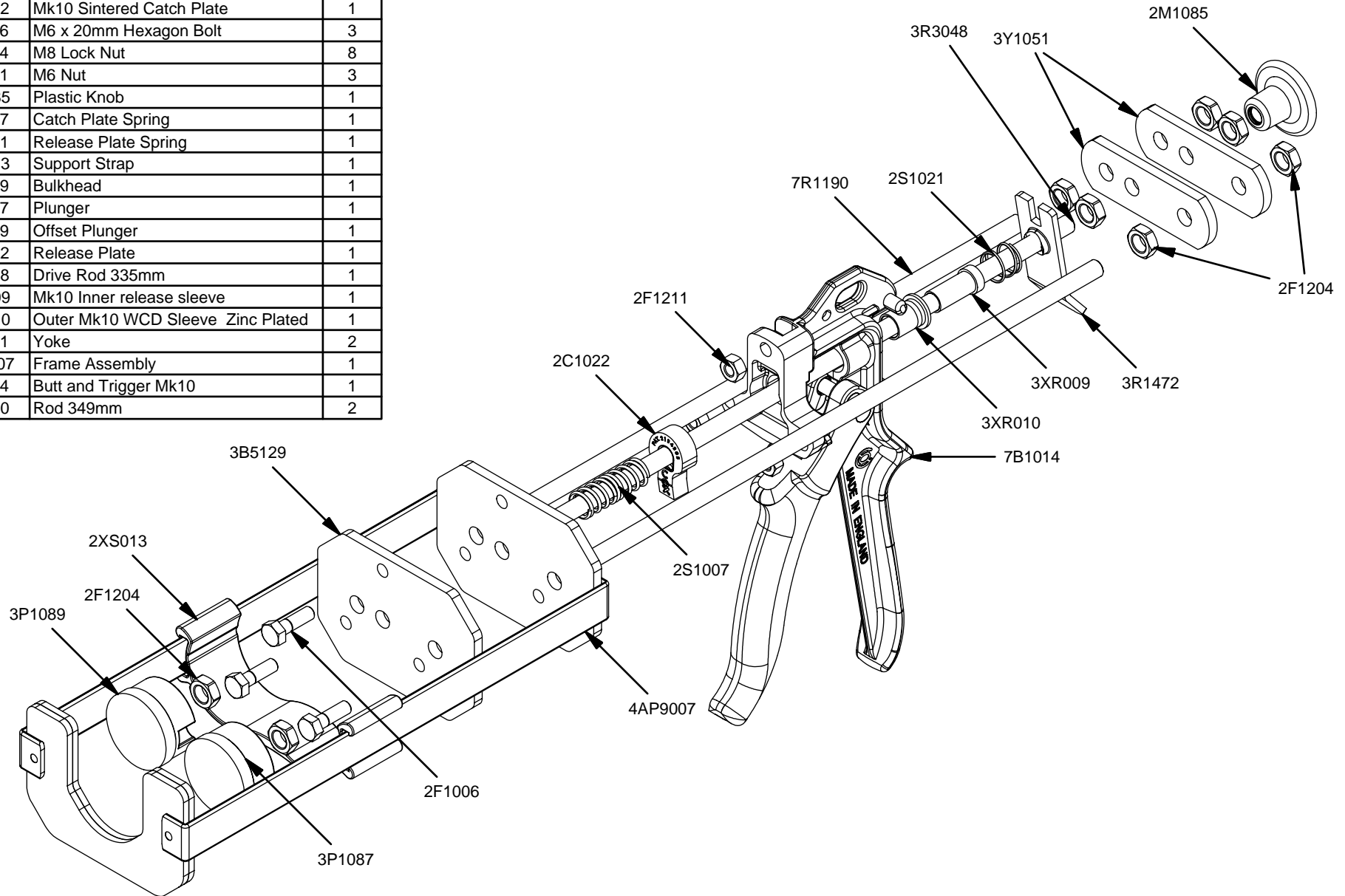


Parts List		
STOCK No	DESCRIPTION	QTY
2C1022	Mk10 Sintered Catch Plate	1
2F1006	M6 x 20mm Hexagon Bolt	3
2F1204	M8 Lock Nut	8
2F1211	M6 Nut	3
2M1085	Plastic Knob	1
2S1007	Catch Plate Spring	1
2S1021	Release Plate Spring	1
2XS013	Support Strap	1
3B5129	Bulkhead	1
3P1087	Plunger	1
3P1089	Offset Plunger	1
3R1472	Release Plate	1
3R3048	Drive Rod 335mm	1
3XR009	Mk10 Inner release sleeve	1
3XR010	Outer Mk10 WCD Sleeve Zinc Plated	1
3Y1051	Yoke	2
4AP9007	Frame Assembly	1
7B1014	Butt and Trigger Mk10	1
7R1190	Rod 349mm	2



Epcon 530



www.cox-applicators.com
 sales@cox-applicators.com
 800-822-8114

REV
 A

DATE
 14/02/2011