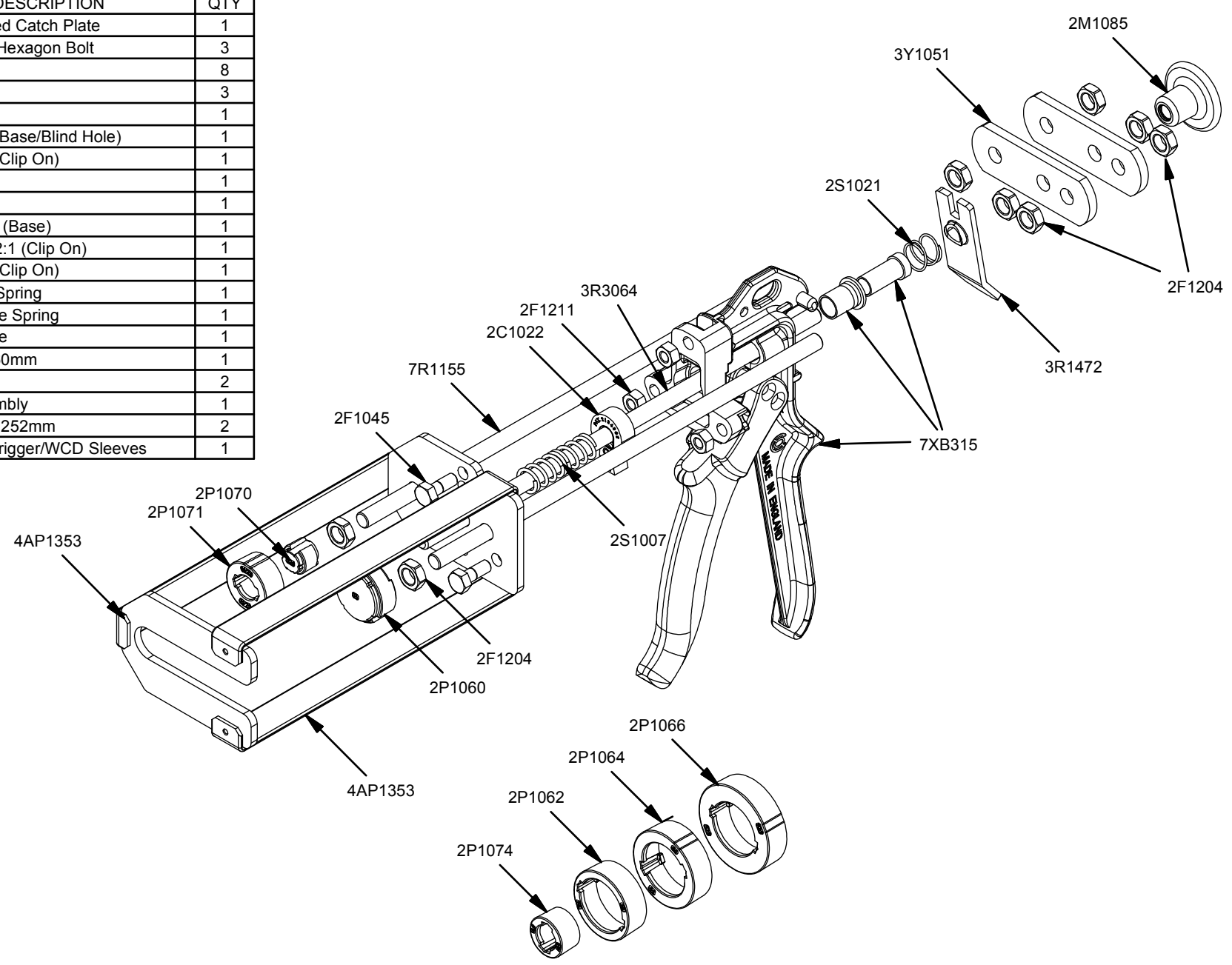


Parts List		
STOCK No	DESCRIPTION	QTY
2C1022	Mk10 Sintered Catch Plate	1
2F1045	M6 x 20mm Hexagon Bolt	3
2F1204	M8 Lock Nut	8
2F1211	M6 Nut	3
2M1085	Plastic Knob	1
2P1060	Plunger 1:1 (Base/Blind Hole)	1
2P1062	Plunger 2:1 (Clip On)	1
2P1064	Plunger 4:1	1
2P1066	Plunger 10:1	1
2P1070	Plunger 10:1 (Base)	1
2P1071	Plunger 1:1/2:1 (Clip On)	1
2P1074	Plunger 4:1 (Clip On)	1
2S1007	Catch Plate Spring	1
2S1021	Release Plate Spring	1
3R1472	Release Plate	1
3R3064	Drive Rod 260mm	1
3Y1051	Yoke	2
4AP1353	Frame Assembly	1
7R1155	Plunger Rod 252mm	2
7XB315	Mk 10 Butt/Trigger/WCD Sleeves	1



M200XMR



www.cox-applicators.com
 sales@cox-applicators.com
 800-822-8114

REV	DATE
C	14/01/2015

REV	DATE
C	14/01/2015