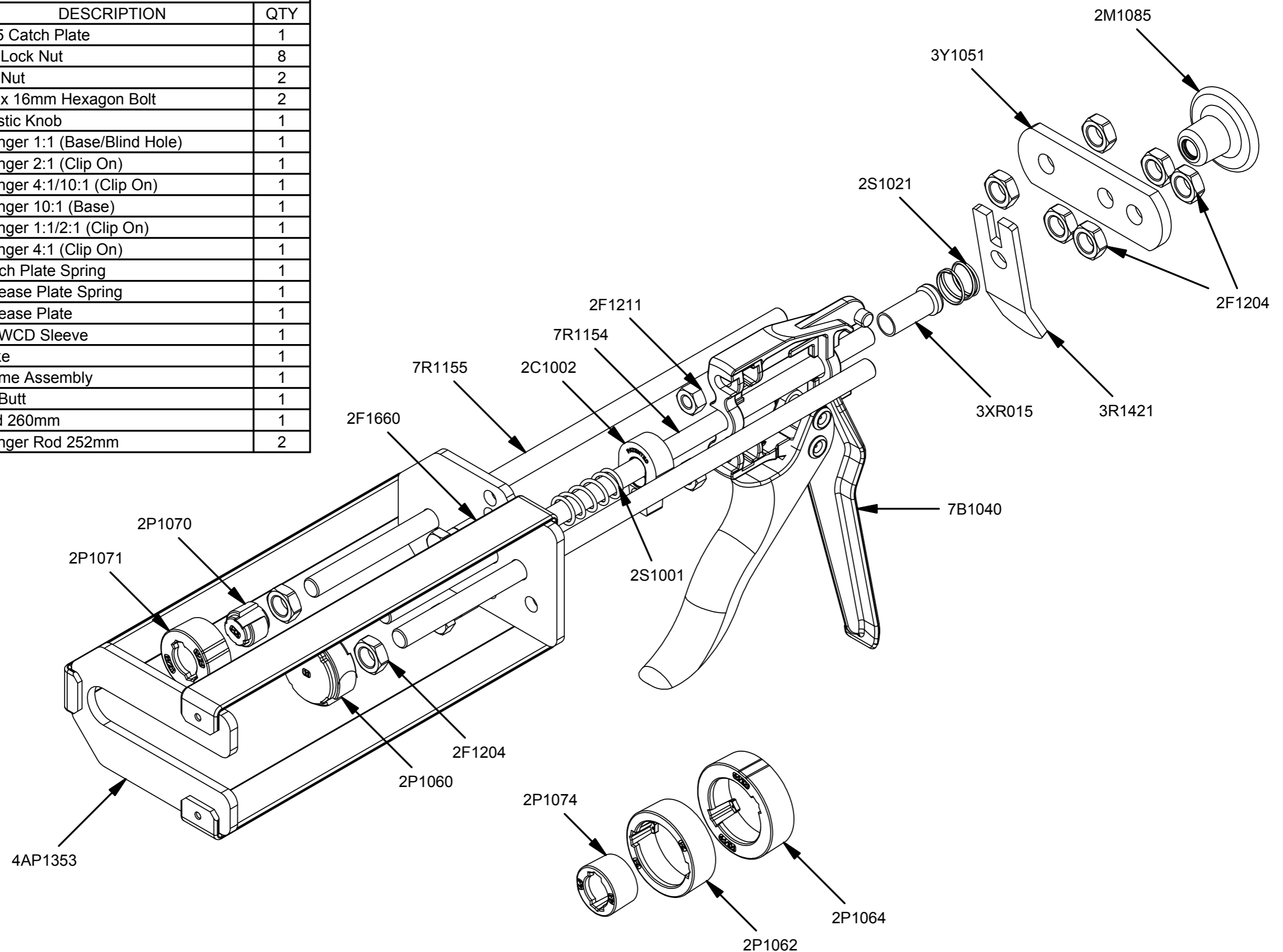


Parts List		
STOCK No	DESCRIPTION	QTY
2C1002	Mk5 Catch Plate	1
2F1204	M8 Lock Nut	8
2F1211	M6 Nut	2
2F1660	M6 x 16mm Hexagon Bolt	2
2M1085	Plastic Knob	1
2P1060	Plunger 1:1 (Base/Blind Hole)	1
2P1062	Plunger 2:1 (Clip On)	1
2P1064	Plunger 4:1/10:1 (Clip On)	1
2P1070	Plunger 10:1 (Base)	1
2P1071	Plunger 1:1/2:1 (Clip On)	1
2P1074	Plunger 4:1 (Clip On)	1
2S1001	Catch Plate Spring	1
2S1021	Release Plate Spring	1
3R1421	Release Plate	1
3XR015	LV WCD Sleeve	1
3Y1051	Yoke	1
4AP1353	Frame Assembly	1
7B1040	LV Butt	1
7R1154	Rod 260mm	1
7R1155	Plunger Rod 252mm	2



M200LVMR



www.cox-applicators.com
 sales@cox-applicators.com
 800-822-8114

REV	DATE