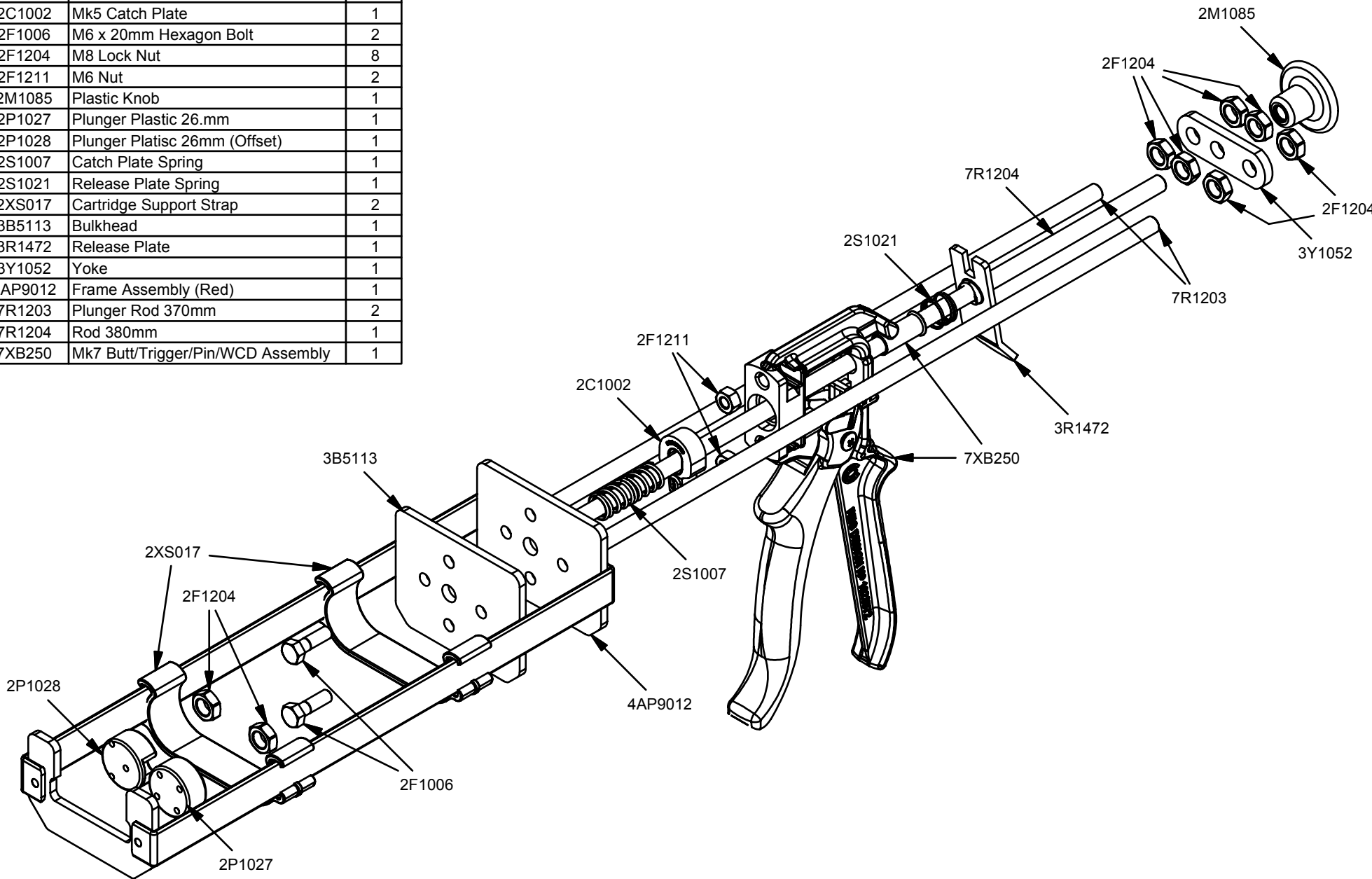


| Parts List | | |
|------------|-----------------------------------|-----|
| STOCK No | DESCRIPTION | QTY |
| 2C1002 | Mk5 Catch Plate | 1 |
| 2F1006 | M6 x 20mm Hexagon Bolt | 2 |
| 2F1204 | M8 Lock Nut | 8 |
| 2F1211 | M6 Nut | 2 |
| 2M1085 | Plastic Knob | 1 |
| 2P1027 | Plunger Plastic 26.mm | 1 |
| 2P1028 | Plunger Platic 26mm (Offset) | 1 |
| 2S1007 | Catch Plate Spring | 1 |
| 2S1021 | Release Plate Spring | 1 |
| 2XS017 | Cartridge Support Strap | 2 |
| 3B5113 | Bulkhead | 1 |
| 3R1472 | Release Plate | 1 |
| 3Y1052 | Yoke | 1 |
| 4AP9012 | Frame Assembly (Red) | 1 |
| 7R1203 | Plunger Rod 370mm | 2 |
| 7R1204 | Rod 380mm | 1 |
| 7XB250 | Mk7 Butt/Trigger/Pin/WCD Assembly | 1 |



M180



| REV | DATE |
|-----|------------|
| A | 09/12/2003 |