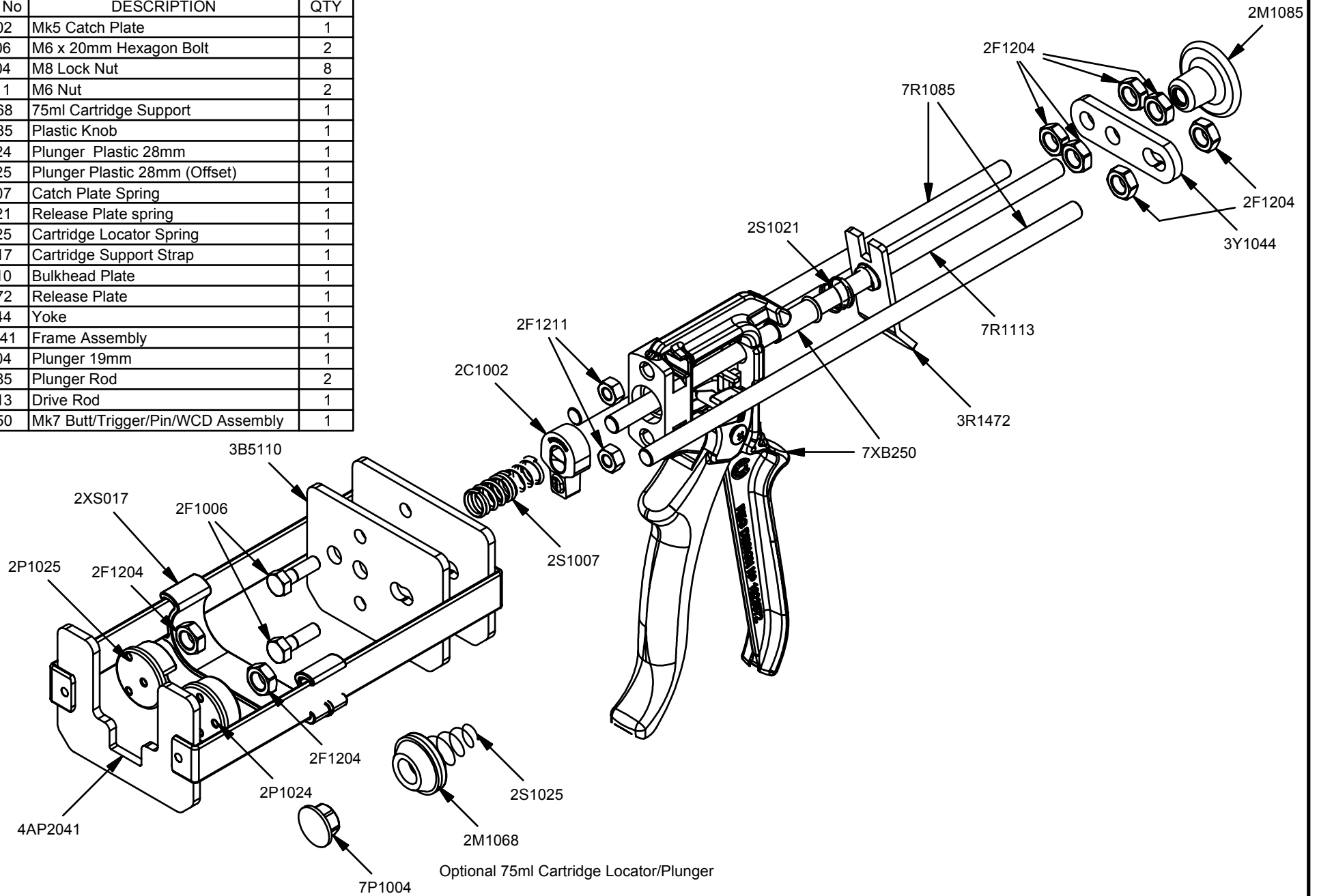


Parts List		
STOCK No	DESCRIPTION	QTY
2C1002	Mk5 Catch Plate	1
2F1006	M6 x 20mm Hexagon Bolt	2
2F1204	M8 Lock Nut	8
2F1211	M6 Nut	2
2M1068	75ml Cartridge Support	1
2M1085	Plastic Knob	1
2P1024	Plunger Plastic 28mm	1
2P1025	Plunger Plastic 28mm (Offset)	1
2S1007	Catch Plate Spring	1
2S1021	Release Plate spring	1
2S1025	Cartridge Locator Spring	1
2XS017	Cartridge Support Strap	1
3B5110	Bulkhead Plate	1
3R1472	Release Plate	1
3Y1044	Yoke	1
4AP2041	Frame Assembly	1
7P1004	Plunger 19mm	1
7R1085	Plunger Rod	2
7R1113	Drive Rod	1
7XB250	Mk7 Butt/Trigger/Pin/WCD Assembly	1



M100



REV

DATE

B

15/08/2003