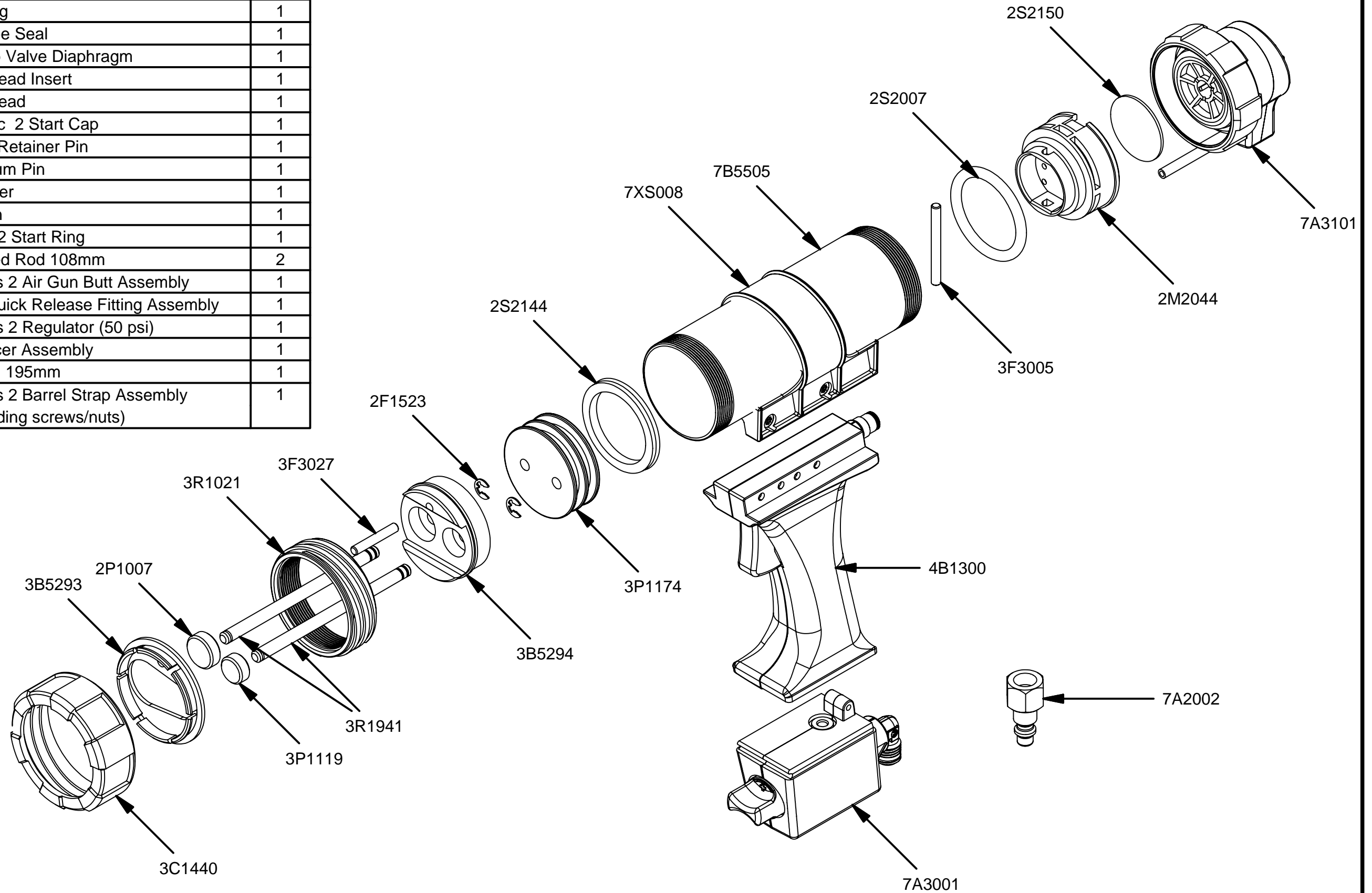


| Parts List |   |     |
|------------|---|-----|
| STOCK No   | DESCRIPTION   | QTY |
| 2F1523     | E Clip  | 2   |
| 2M2044     | Dump Valve Body   | 1   |
| 2P1007     | Plunger Plastic 19mm                                      | 1   |
| 2S2007     | O Ring  | 1   |
| 2S2144     | U Type Seal   | 1   |
| 2S2150     | Dump Valve Diaphragm                                      | 1   |
| 3B5293     | Bulkhead Insert   | 1   |
| 3B5294     | Bulkhead  | 1   |
| 3C1440     | Plastic 2 Start Cap                                       | 1   |
| 3F3005     | Cord Retainer Pin   | 1   |
| 3F3027     | Fulcrum Pin   | 1   |
| 3P1119     | Plunger   | 1   |
| 3P1174     | Piston  | 1   |
| 3R1021     | Alloy 2 Start Ring  | 1   |
| 3R1941     | Barbed Rod 108mm  | 2   |
| 4B1300     | Series 2 Air Gun Butt Assembly                            | 1   |
| 7A2002     | US Quick Release Fitting Assembly                         | 1   |
| 7A3001     | Series 2 Regulator (50 psi)                               | 1   |
| 7A3101     | Silencer Assembly   | 1   |
| 7B5505     | Barrel 195mm  | 1   |
| 7XS008     | Series 2 Barrel Strap Assembly<br>(including screws/nuts) | 1   |



A50S/1:2:3



www.cox-applicators.com  
 sales@cox-applicators.com  
 800-822-8114

REV

DATE