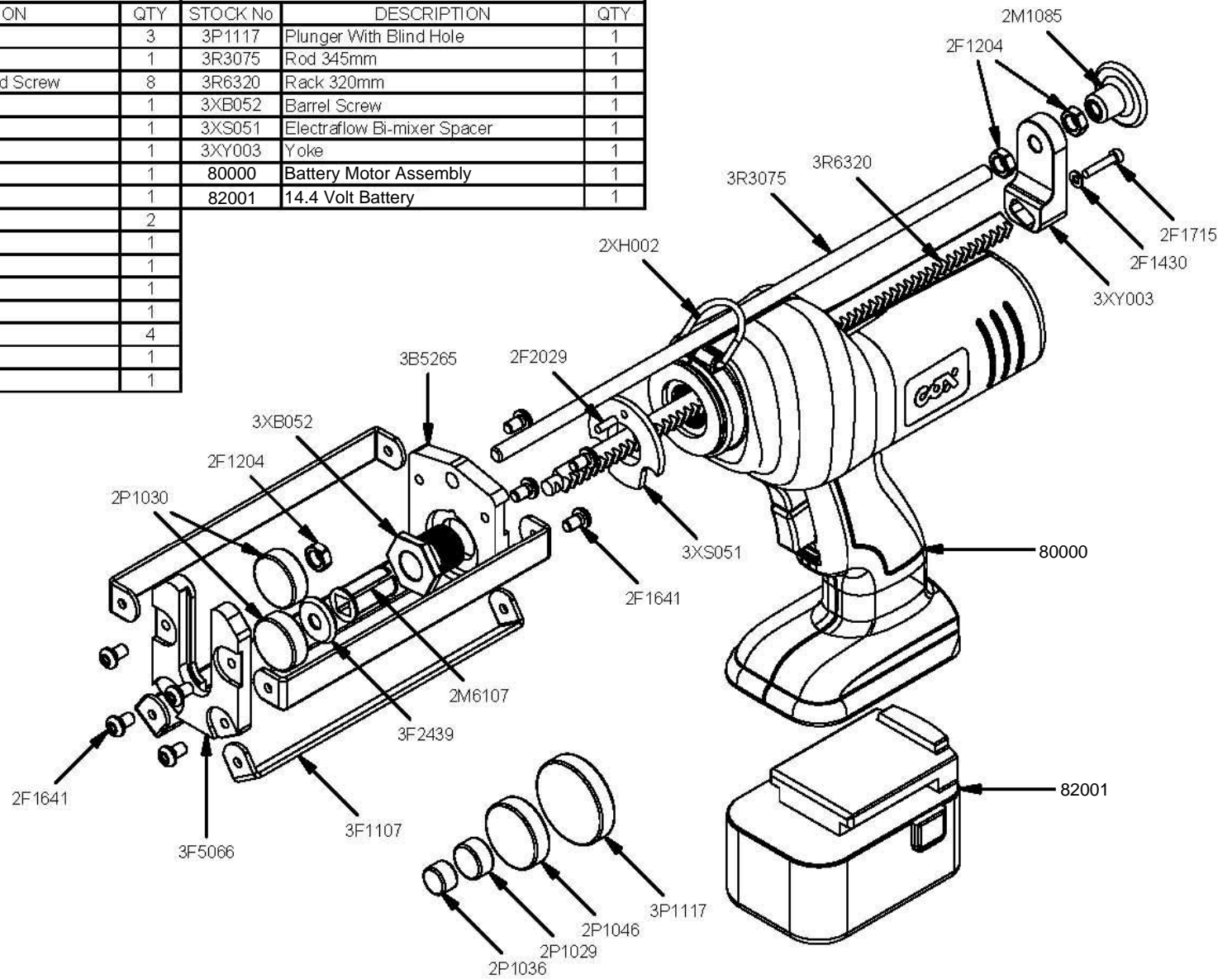


Parts List			Parts List		
STOCK No	DESCRIPTION	QTY	STOCK No	DESCRIPTION	QTY
2F1204	M8 Lock Nut	3	3P1117	Plunger With Blind Hole	1
2F1430	M4 Washer	1	3R3075	Rod 345mm	1
2F1641	M6 x 10mm Button Head Screw	8	3R6320	Rack 320mm	1
2F1715	Screw	1	3XB052	Barrel Screw	1
2F2029	Roll Pin	1	3XS051	Electraflow Bi-mixer Spacer	1
2M1085	Plastic Knob	1	3XY003	Yoke	1
2M6107	Barrel Screw Insert	1	80000	Battery Motor Assembly	1
2P1029	Plunger Ally 19mm	1	82001	14.4 Volt Battery	1
2P1030	Plunger Ally 29mm	2			
2P1036	Plunger Ally 15mm	1			
2P1046	Plunger Ally 36mm	1			
2XH002	Hanging Hook	1			
3B5265	Bulkhead Plate	1			
3F1107	Frame	4			
3F2439	Formed Washer	1			
3F5066	Front Plate	1			



80200 – 200ml Multi Ratio



www.cox-applicators.com  
 sales@cox-applicators.com  
 800-822-8114

REV

DATE

B

26/11/2008