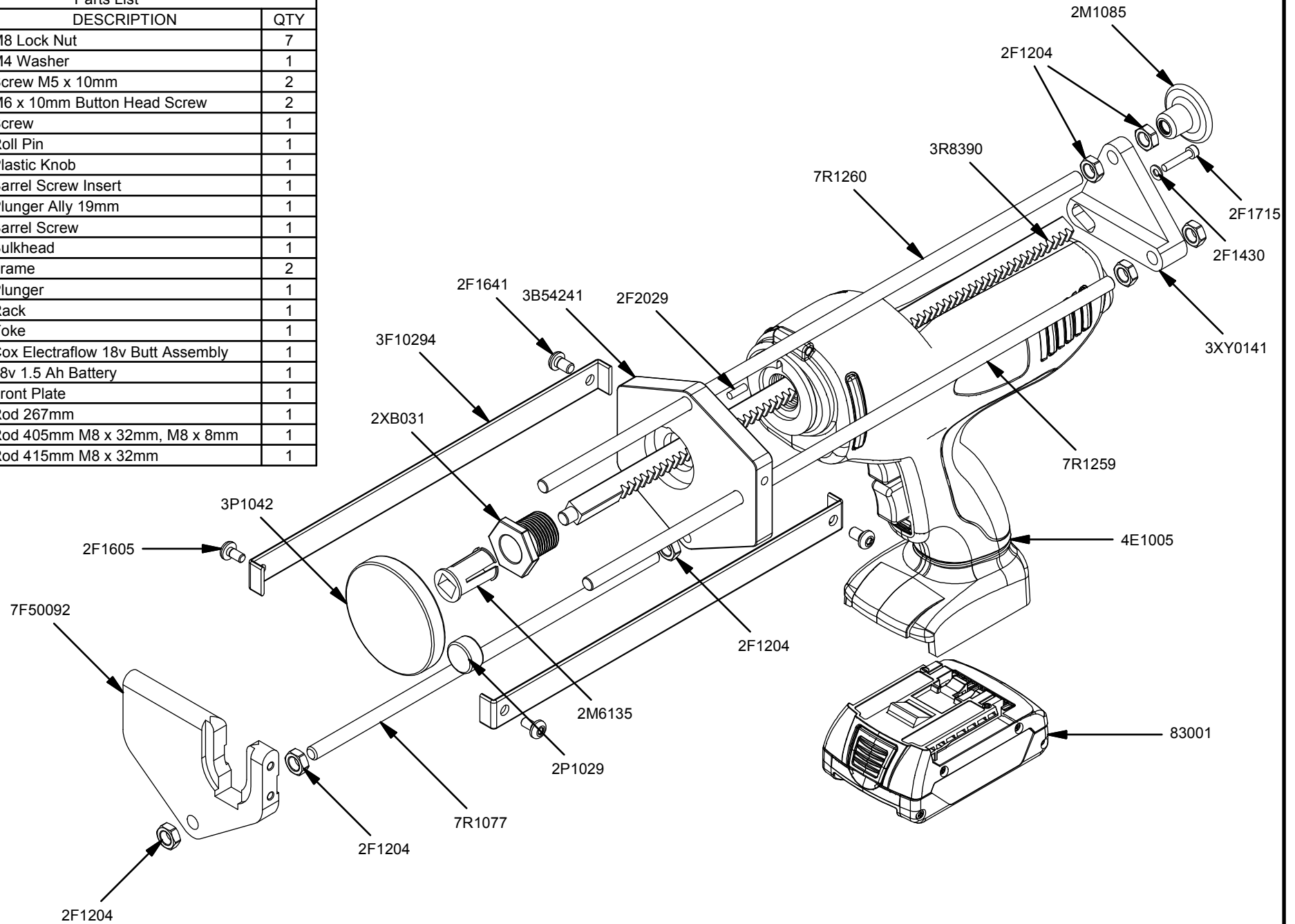


Parts List		
STOCK No	DESCRIPTION	QTY
2F1204	M8 Lock Nut	7
2F1430	M4 Washer	1
2F1605	Screw M5 x 10mm	2
2F1641	M6 x 10mm Button Head Screw	2
2F1715	Screw	1
2F2029	Roll Pin	1
2M1085	Plastic Knob	1
2M6135	Barrel Screw Insert	1
2P1029	Plunger Ally 19mm	1
2XB031	Barrel Screw	1
3B54241	Bulkhead	1
3F10294	Frame	2
3P1042	Plunger	1
3R8390	Rack	1
3XY0141	Yoke	1
4E1005	Cox Electroflow 18v Butt Assembly	1
83001	18v 1.5 Ah Battery	1
7F50092	Front Plate	1
7R1077	Rod 267mm	1
7R1259	Rod 405mm M8 x 32mm, M8 x 8mm	1
7R1260	Rod 415mm M8 x 32mm	1



81750/10 Electroflow Plus 750-10



www.cox-applicators.com
 sales@cox-applicators.com
 800-822-8114

REV
 A

DATE
 10/02/2016