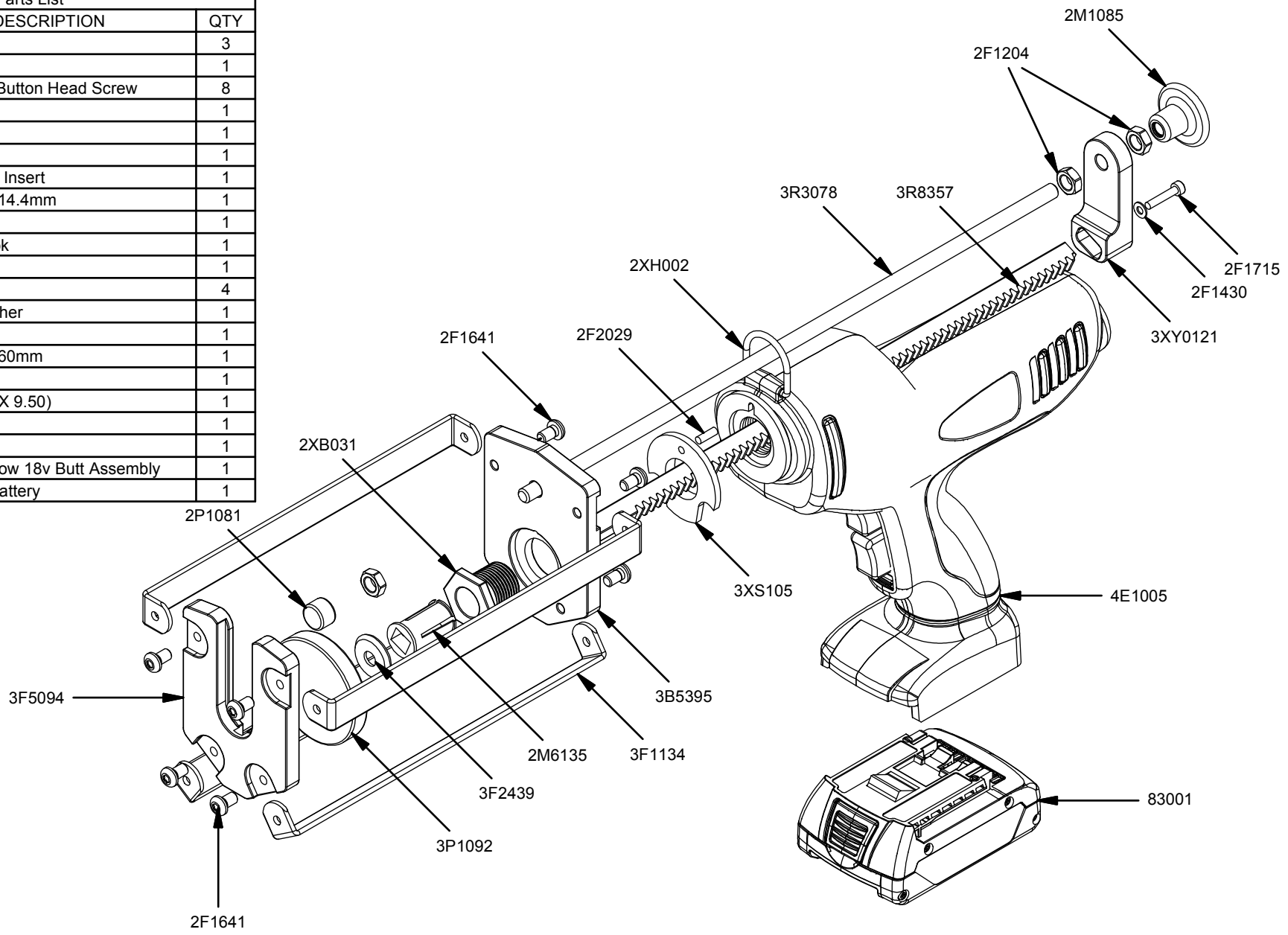


Parts List		
STOCK No	DESCRIPTION	QTY
2F1204	M8 Lock Nut	3
2F1430	M4 Washer	1
2F1641	M6 x 10mm Button Head Screw	8
2F1715	Screw	1
2F2029	Roll Pin	1
2M1085	Plastic Knob	1
2M6135	Barrel Screw Insert	1
2P1081	Plunger Ally 14.4mm	1
2XB031	Barrel Screw	1
2XH002	Hanging Hook	1
3B5395	Bulkhead	1
3F1134	Frame	4
3F2439	Formed Washer	1
3F5094	Front Plate	1
3P1092	Plunger Ally 60mm	1
3R3078	Rod 382mm	1
3R8357	Rack (11.00 X 9.50)	1
3XS105	Spacer	1
3XY0121	Yoke	1
4E1005	Cox Electroflow 18v Butt Assembly	1
83001	18v 1.5 Ah Battery	1



81400/10 Electroflow 400/10



www.cox-applicators.com
 sales@cox-applicators.com
 800-822-8114

REV	DATE
A	10/02/2016