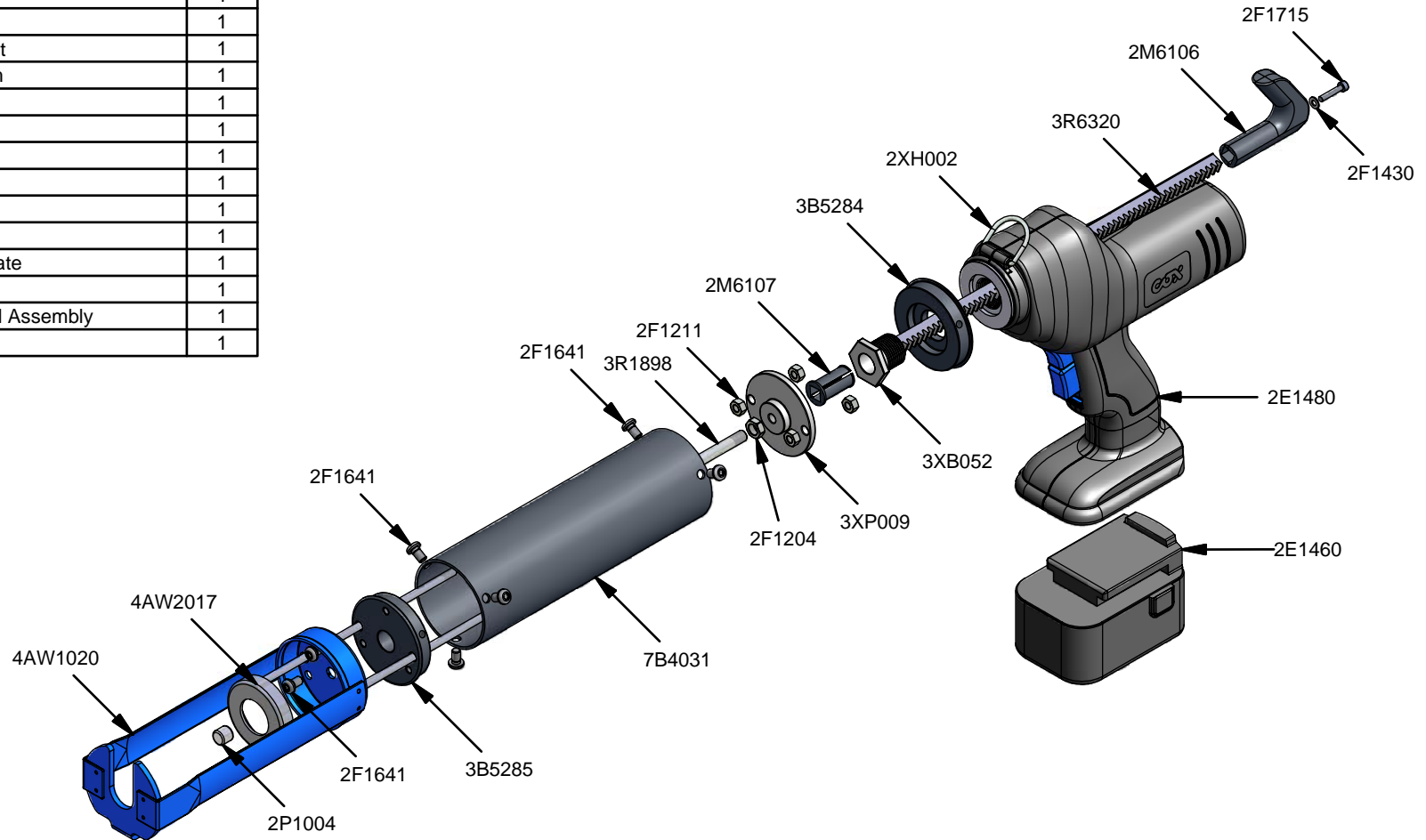


Parts List		
STOCK No	DESCRIPTION	QTY
2E1480	US Electraflow Kit (2 x Batteries, Charger and Gun Body)	1
2F1204	M8 Lock Nut	1
2F1211	M6 Nut	4
2F1430	M4 Washer	1
2F1641	M6 x 10mm Button Head Screw	9
2F1715	Screw	1
2M6106	Rack Handle	1
2M6107	Barrel Screw Insert	1
2P1004	Plunger Ally 11mm	1
2XH002	Hanging Hook	1
3B5284	Bulkhead	1
3B5285	Bulkead (Swing)	1
3R1898	Drive Rod 300mm	1
3R6320	Rack 320mm	1
3XB052	Barrel Screw	1
3XP009	Plunger Carrier Plate	1
4AW1020	Frame Assembly	1
4AW2017	Outer Plunger/Rod Assembly	1
7B4031	Barrel	1



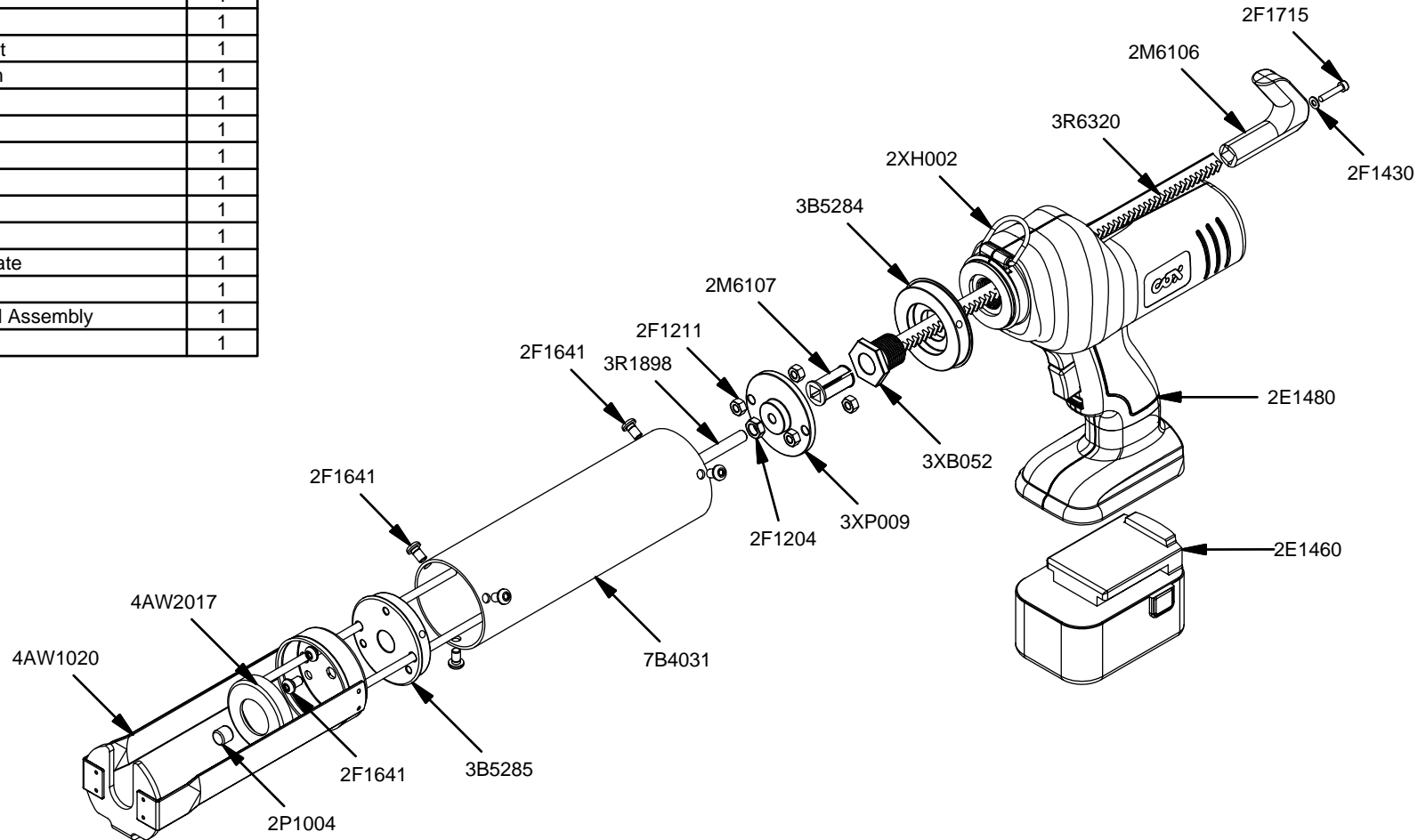
CCE 380 10:1



www.cox-applicators.com
 sales@cox-applicators.com
 800-822-8114

REV	DATE
A	07/11/2007

Parts List		
STOCK No	DESCRIPTION	QTY
2E1480	US Electroflow Kit (2 x Batteries, Charger and Gun Body)	1
2F1204	M8 Lock Nut	1
2F1211	M6 Nut	4
2F1430	M4 Washer	1
2F1641	M6 x 10mm Button Head Screw	9
2F1715	Screw	1
2M6106	Rack Handle	1
2M6107	Barrel Screw Insert	1
2P1004	Plunger Ally 11mm	1
2XH002	Hanging Hook	1
3B5284	Bulkhead	1
3B5285	Bulkead (Swing)	1
3R1898	Drive Rod 300mm	1
3R6320	Rack 320mm	1
3XB052	Barrel Screw	1
3XP009	Plunger Carrier Plate	1
4AW1020	Frame Assembly	1
4AW2017	Outer Plunger/Rod Assembly	1
7B4031	Barrel	1



CCE 380 10:1



www.cox-applicators.com
 sales@cox-applicators.com
 800-822-8114

REV
 A

DATE
 07/11/2007