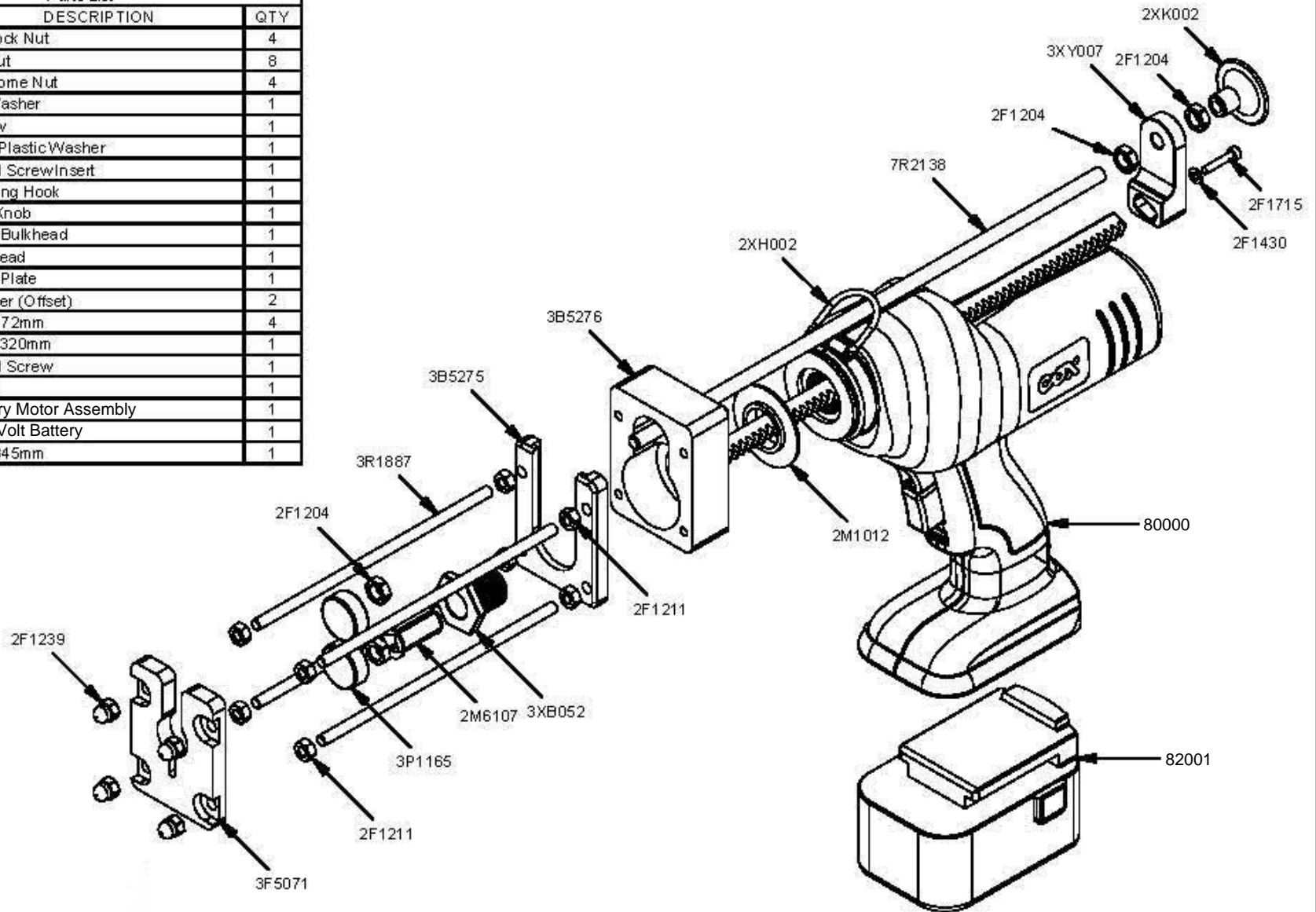


Parts List		
STOCK No	DESCRIPTION	QTY
2F1204	M8 Lock Nut	4
2F1211	M6 Nut	8
2F1239	M6 Dome Nut	4
2F1430	M4 Washer	1
2F1715	Screw	1
2M1012	Grey Plastic Washer	1
2M6107	Barrel Screw Insert	1
2XH002	Hanging Hook	1
2XK002	Zinc Knob	1
3B5275	Front Bulkhead	1
3B5276	Bulkhead	1
3F5071	Front Plate	1
3P1165	Plunger (Offset)	2
3R1887	Rod 172mm	4
3R6322	Rack 320mm	1
3XB052	Barrel Screw	1
3XY007	Yoke	1
80000	Battery Motor Assembly	1
82001	14.4 Volt Battery	1
7R2138	Rod 345mm	1



80090 – 6oz. Dual Cartridge Applicator



www.cox-applicators.com
 sales@cox-applicators.com
 800-822-8114

REV

DATE

A

15/08/2007