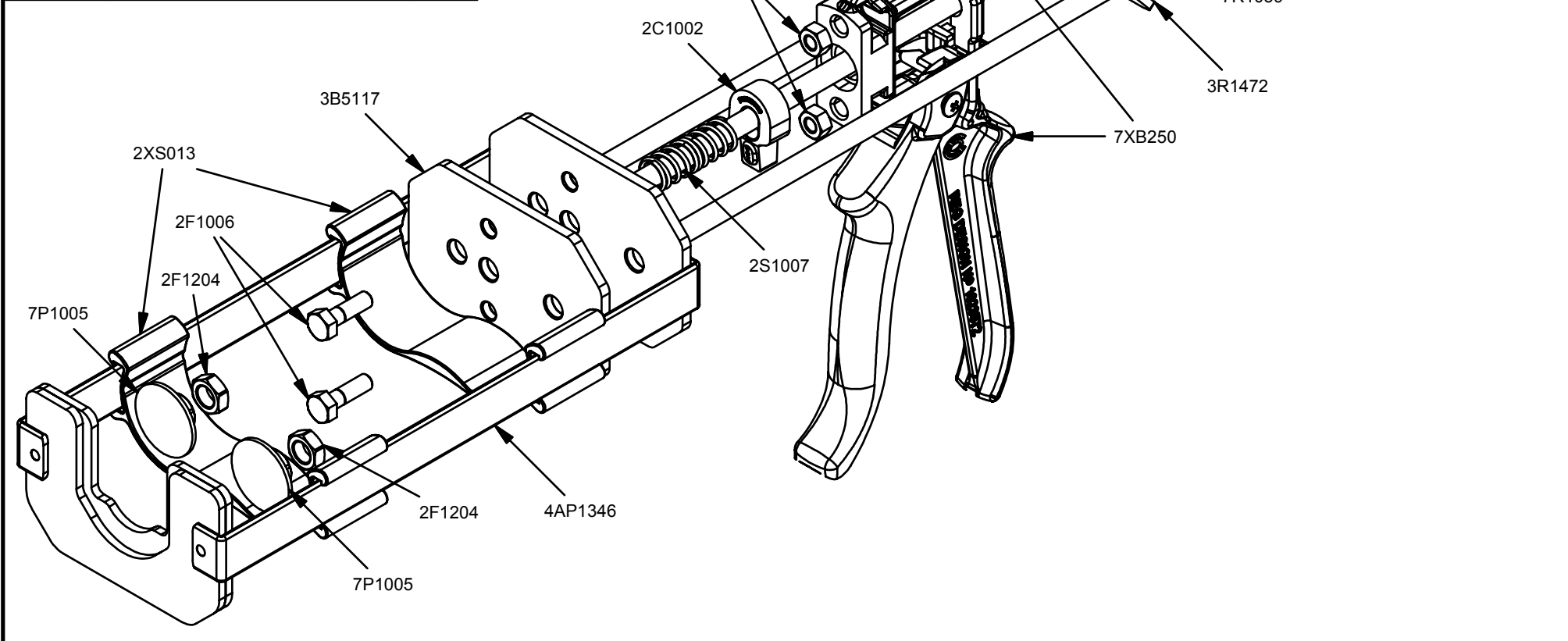


Parts List		
STOCK No	DESCRIPTION	QTY
2C1002	Mk5 Catch Plate	1
2F1006	M6 x 20mm Hexagon Bolt	2
2F1204	M8 Lock Nut	8
2F1211	M6 Nut	2
2M1085	Plastic Knob	1
2S1007	Catch Plate Spring	1
2S1021	Release Plate spring	1
2XS013	Support Strap	2
3B5117	Bulkhead Plate	1
3R1472	Release Plate	1
3Y1051	Yoke	1
4AP1346	Frame Assembly	1
7P1005	Plunger 28mm	2
7R1059	Drive Rod 316mm	1
7R1065	Plunger Rod 308mm	2
7XB250	Mk7 Butt/Trigger/Pin/WCD Assembly	1



M200



REV	DATE
C	18/08/2003