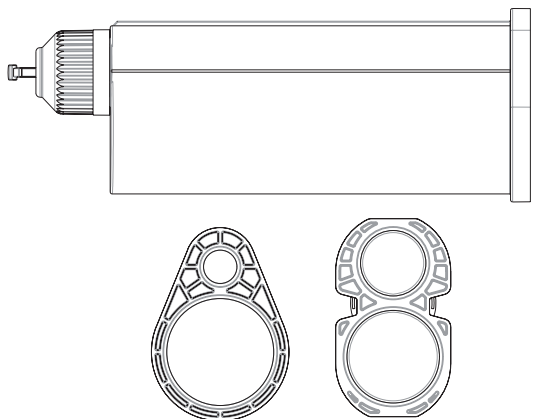


ROUND BACK

## Round Back Mini Cartridge Systems

COX dispensers are innovatively designed and manufactured under rigid quality control. Applicators for mini cartridge systems are available in manual and pneumatic variants configured for 1:1, 2:1, 4:1 and 10:1 mix ratios. All applicators are lightweight, compact and durable, offering ergonomically efficient dispensing for a long trouble-free service with low cost of ownership.



### MR50 / MR25

- 50 ml. Cartridge Systems
- Individual Ratios or Full Kit  
Options are Available (must specify)
- Round Back Cartridges – MR50 Series
- Square Back Cartridges – MR25 Series
- Round & Square Back Cartridges (full kit) – Model MR50/25
- 25 ml. 1:1 Plunger Rack for Round Back Also Available
- 37.5 ml. 2:1 Plunger Rack for Square Back Also Available
- 50 ml. 4:1 and 10:1 Extended Length Plunger Racks for Square Back Also Available
- 75 ml. 1:1 Plunger Rack for Square and Round Back Also Available
- Lightweight - Molded From Glass Reinforced ABS
- Easy Loading Breech – Secure Fit



### A50S

- 50 ml. Round Back Cartridge Systems
- Available in 1:1, 2:1, 3:2, 4:1 & 10:1 Mix Ratios (Must Specify)
- Nominal Thrust 157 lbs.
- True Adjustable Air Regulator – 50 PSI Maximum Output
- 145 PSI Maximum Input
- Instant Dump Valve & Silencer



Private Label and Custom Color Options Available



— Quality Sealant Applicators —

(800) 822-8114

www.cox-applicators.com  
sales@cox-applicators.com